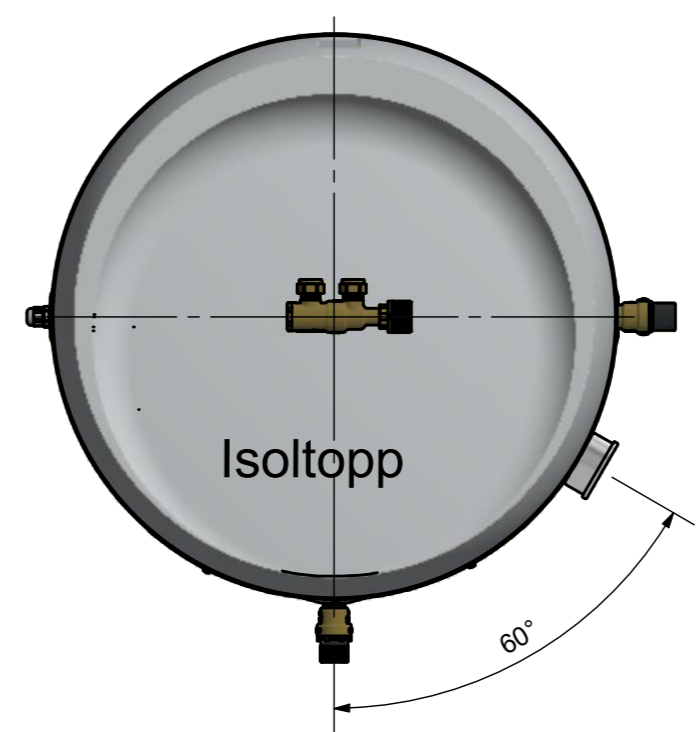
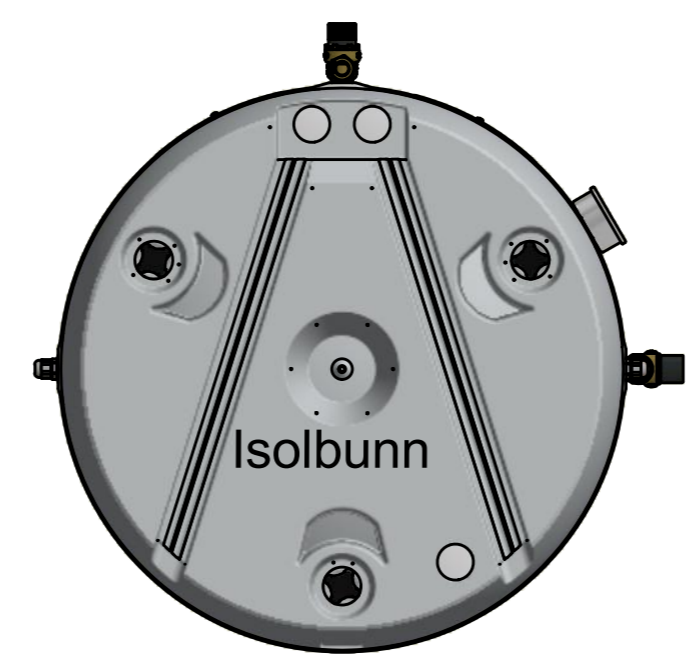
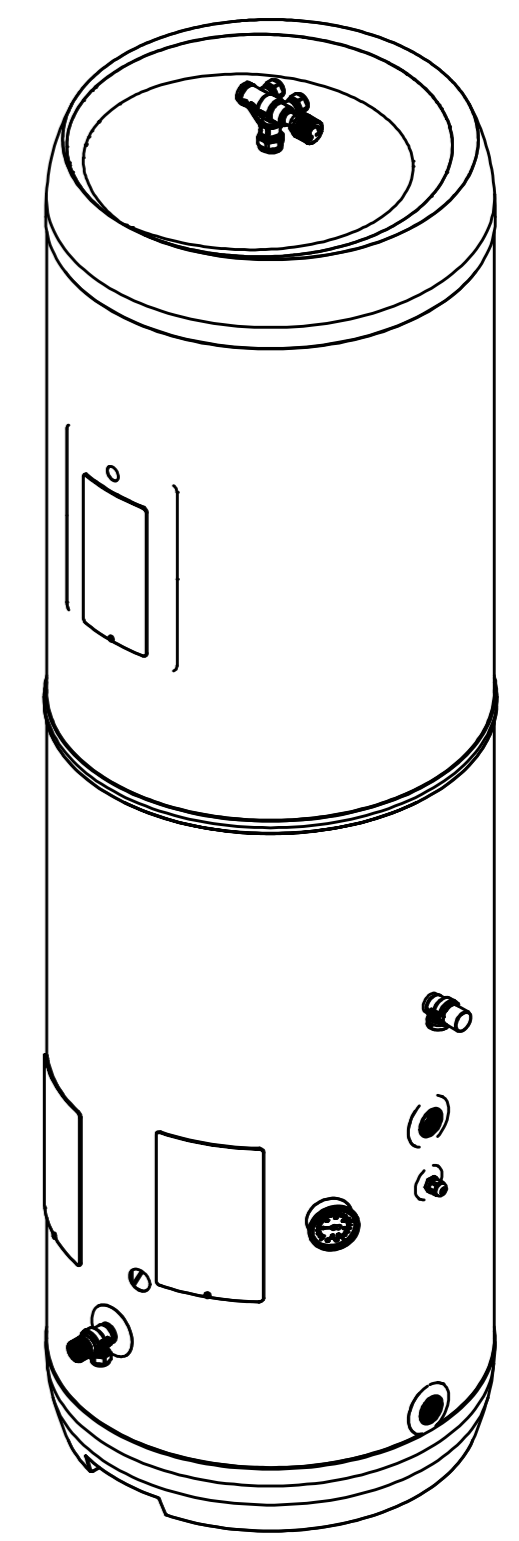
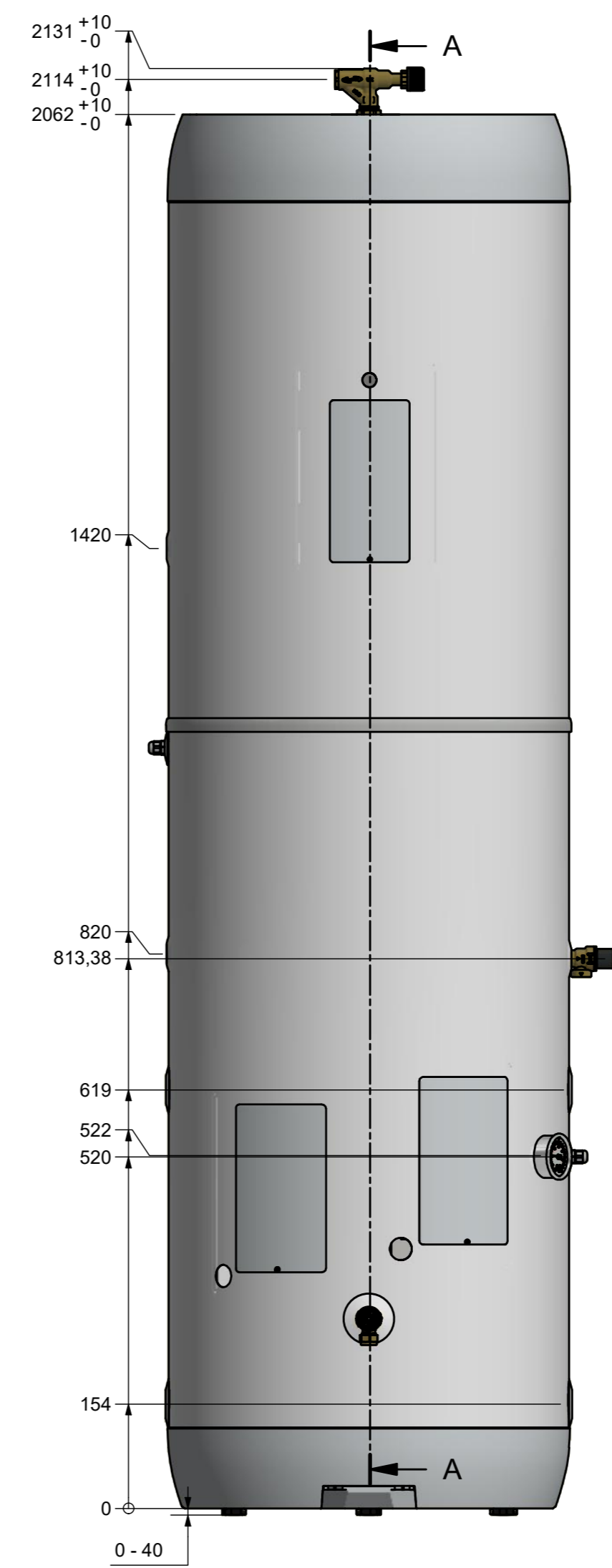
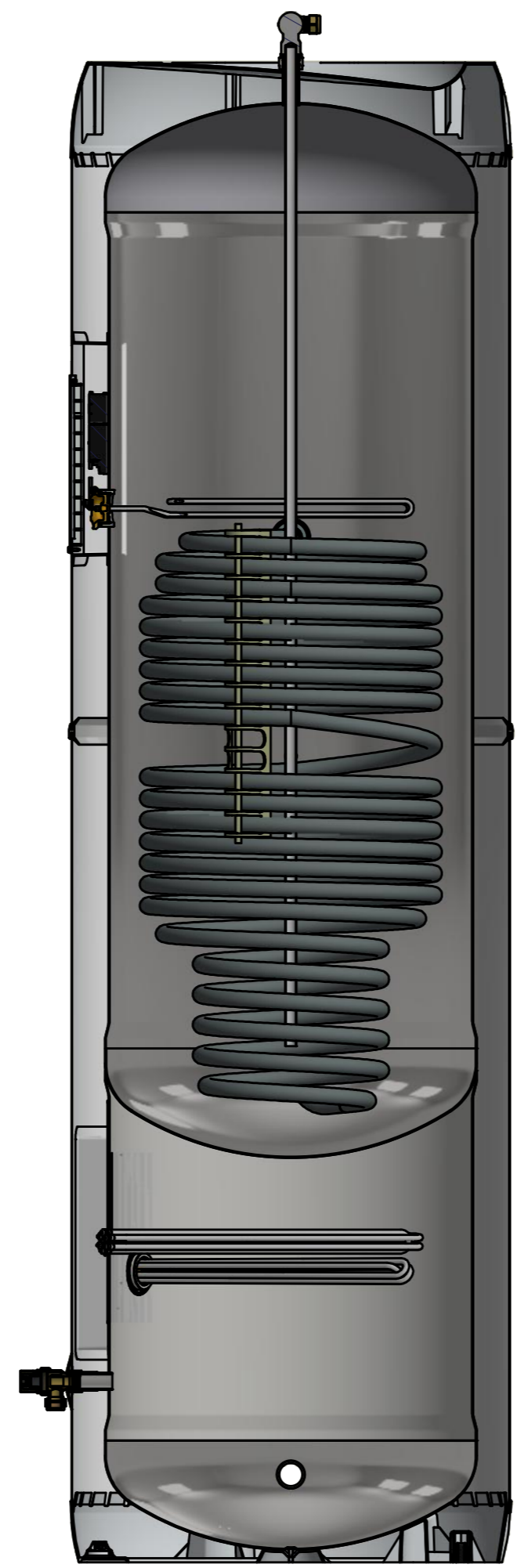
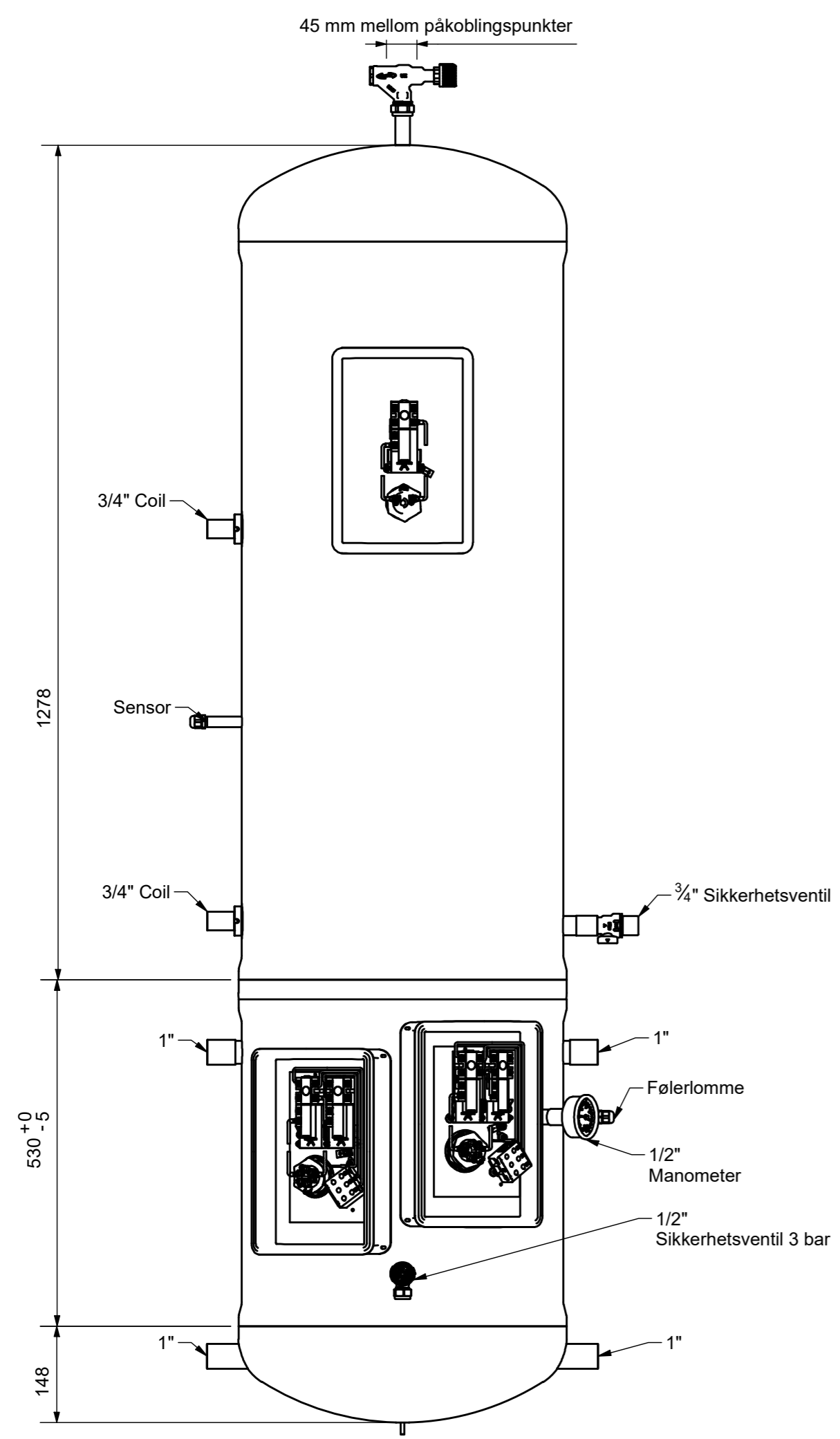


A-A (1:8)

REVISION HISTORY				
REV	Beskrivelse	DATE	DESIGNER	APPROVED
00	Released	03.09.2020	VD	

Volum	
Tank	Volum
Øvre	260
Nedre	100
<b>Totalt</b>	<b>360</b>



**APPROVED**  
By Sigurd Braathen at 2:14 pm, Nov 10, 2020

All dimensions are specified in millimeters (mm) unless otherwise stated.  
Tolerance based on ISO 2768-1m

Title	Scale	Date: 06.11.2020
OGC 360	1:8	Designed by: VD
3 + 15 kw / 1 / 3x230V + HX1,8²	Format	Approved by:
	A2	Projection
Drawing type: 2D	Sheet	
	1 of 1	
This drawing is copyright and shall not be reproduced or disclosed to a third party without express permission by OSO Hotwater AIS Norway	Drawing no.	Rev
	18-0341	01
AIS OSO, N - 3300 Hokksund Tlf: 32 25 00 00 Fax: 32 25 00 90		