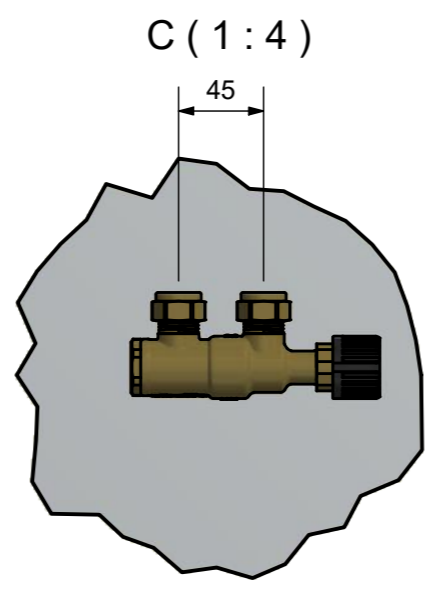
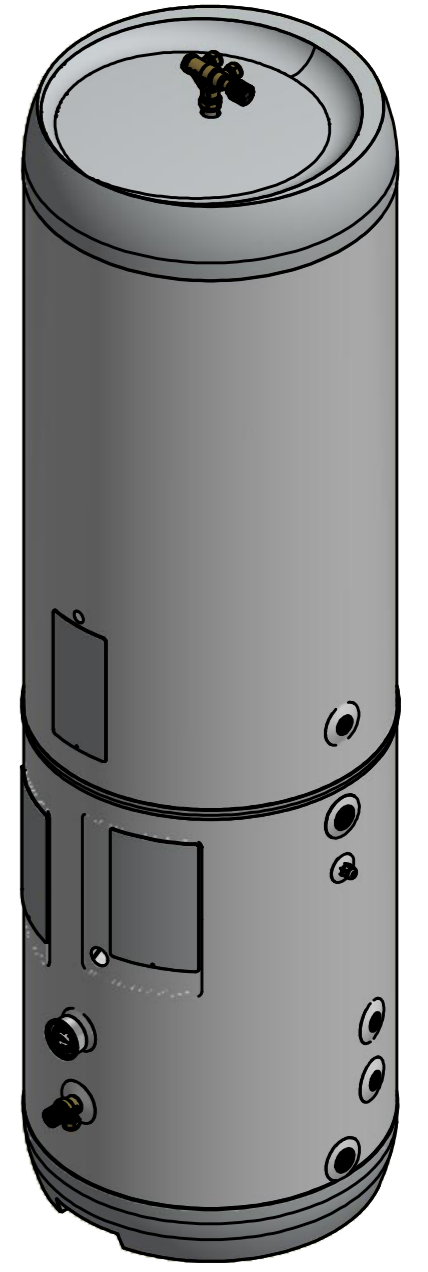
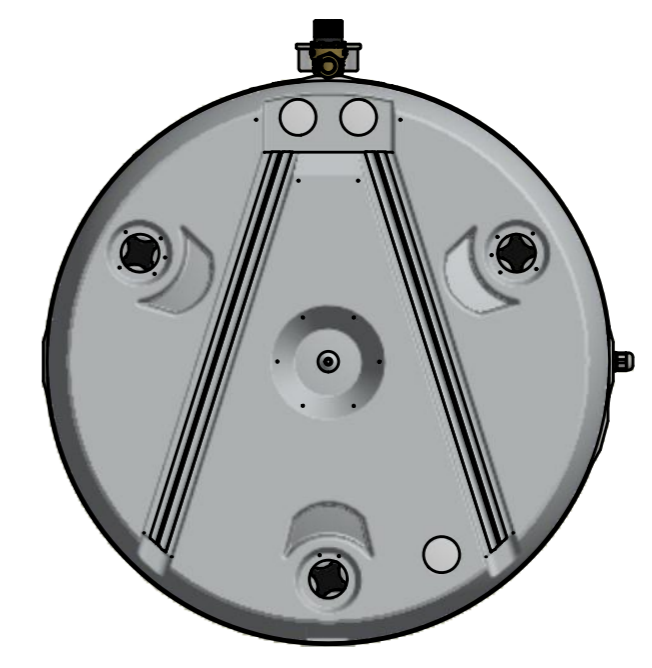
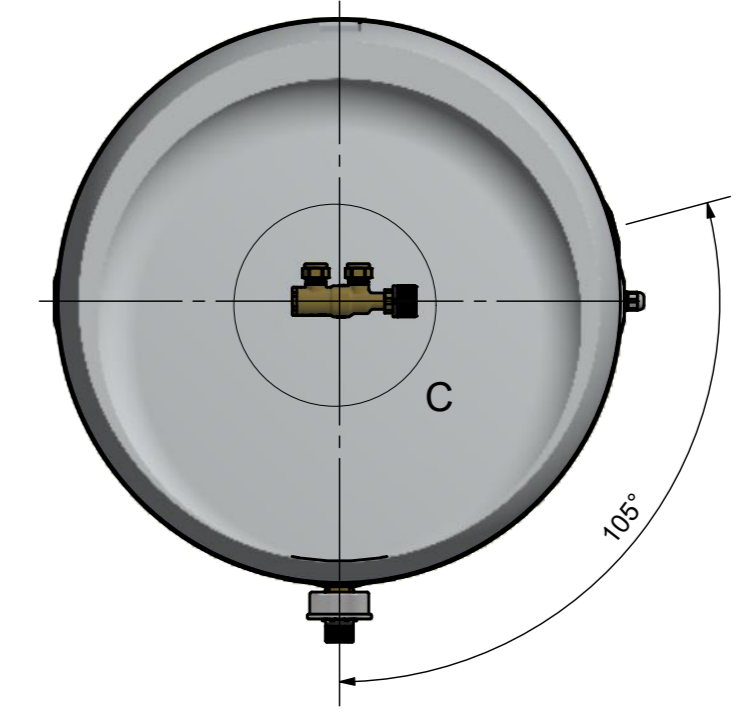
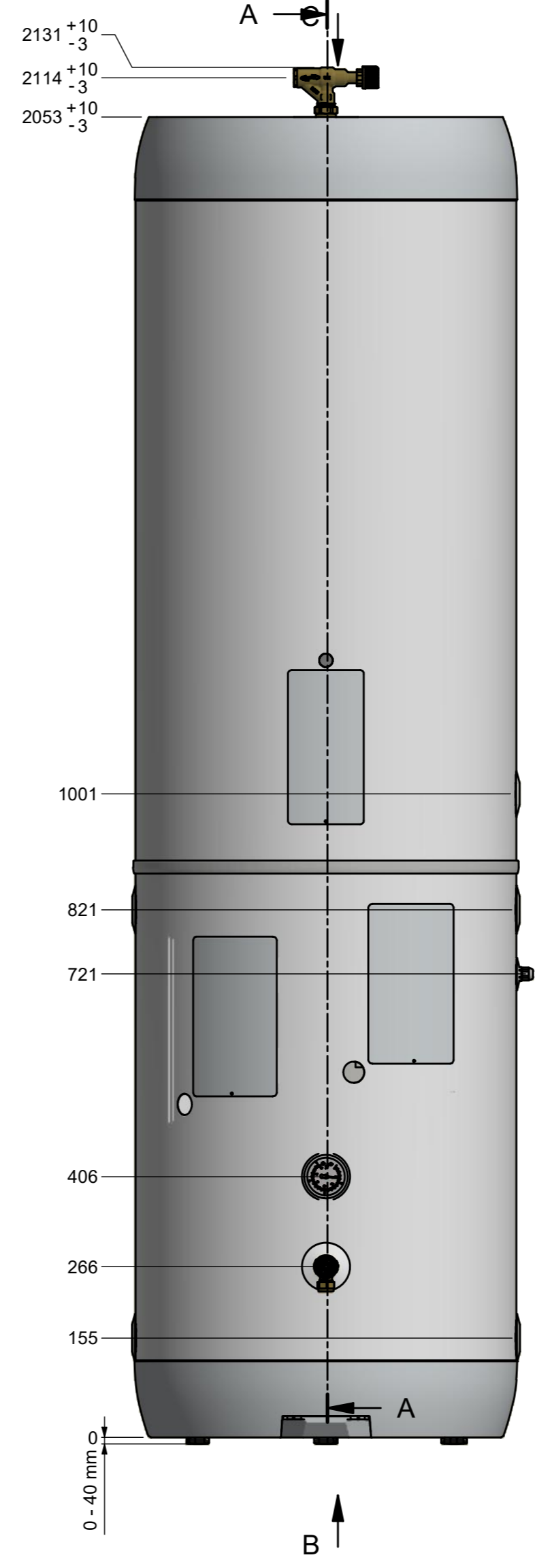
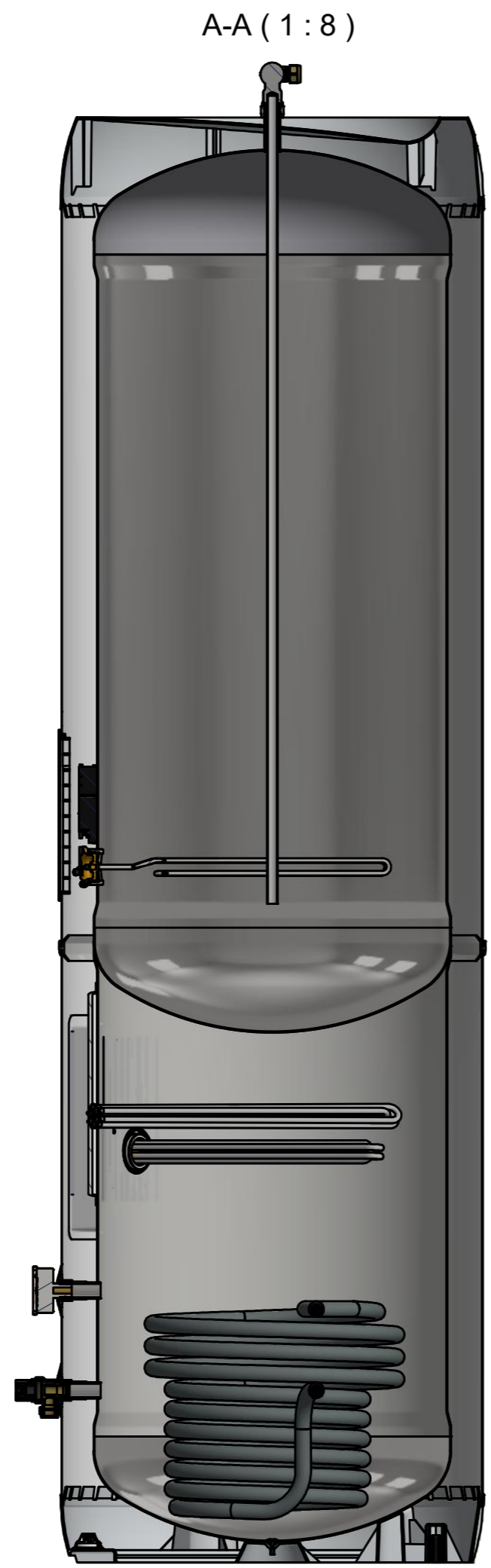
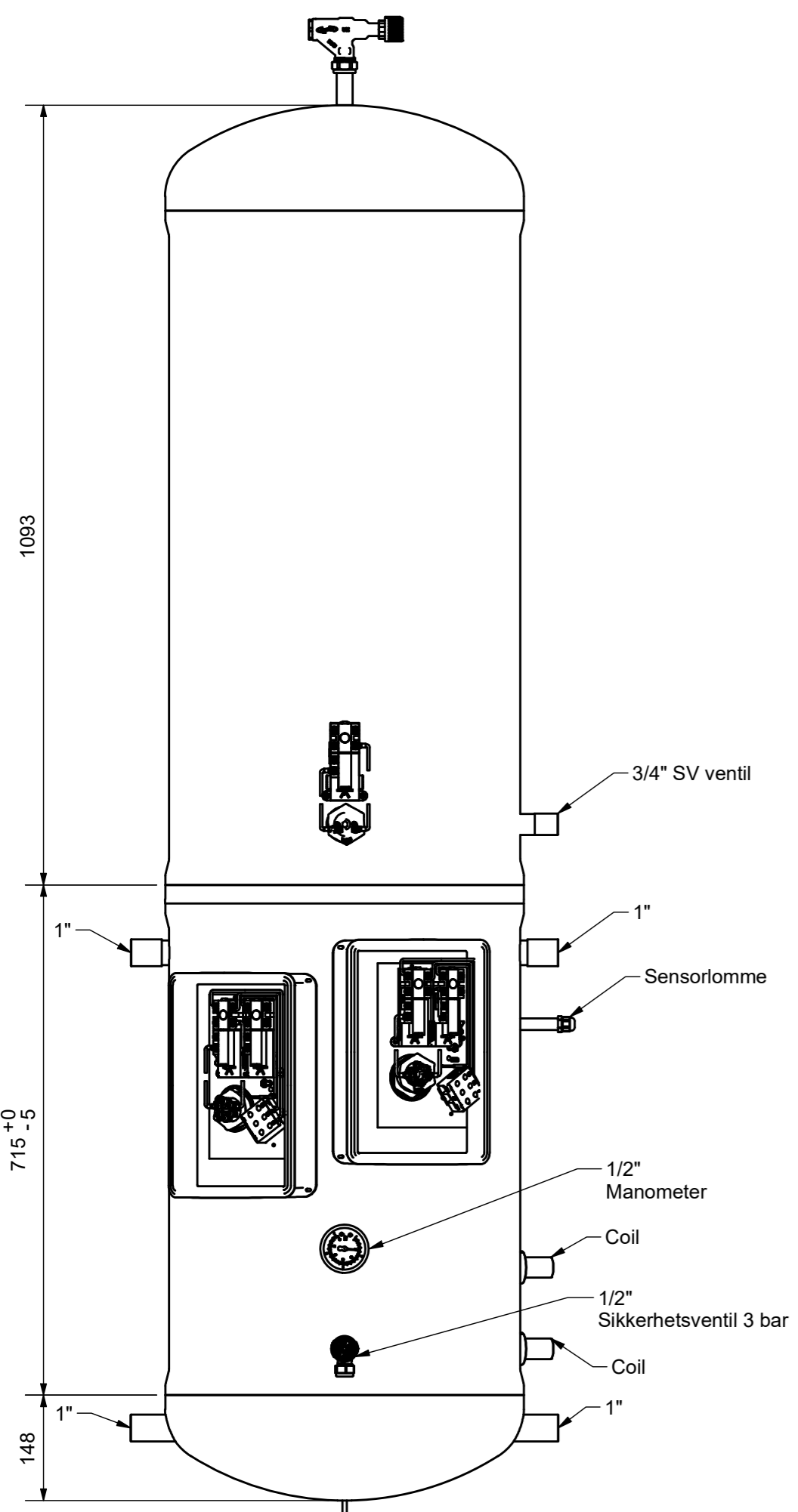


REVISION HISTORY				
REV	Beskrivelse	DATE	DESIGNER	APPROVED
01	Økt volum DHW og fjernet sec. ret	06.11.2020	VD	

Volum	
Tank	Volum
Øvre	224
Nedre	136
Totalt	360



All dimensions are specified in millimeters (mm) unless otherwise stated. Tolerance based on ISO 2768-1m			
Title	Scale	Date:	06.11.2020
OC-360	1 : 8	Designed by:	VD
3 + 15 kw / 1 / 3x230V + HX0,7 ²	Format	Approved by:	
	A2	Projection	
Drawing type: 2D	Sheet	1 of 1	
This drawing is copyright and shall not be reproduced or disclosed to a third party without express permission by OSO Hotwater AIS Norway	OSO HOTWATER	Drawing no.	18-0340
		Rev	01
AIS OSO, N - 3300 Hokksund Tlf: 32 25 00 00 Fax: 32 25 00 90			

APPROVED
By Sigurd Braathen at 11:30 am, Nov 11, 2020