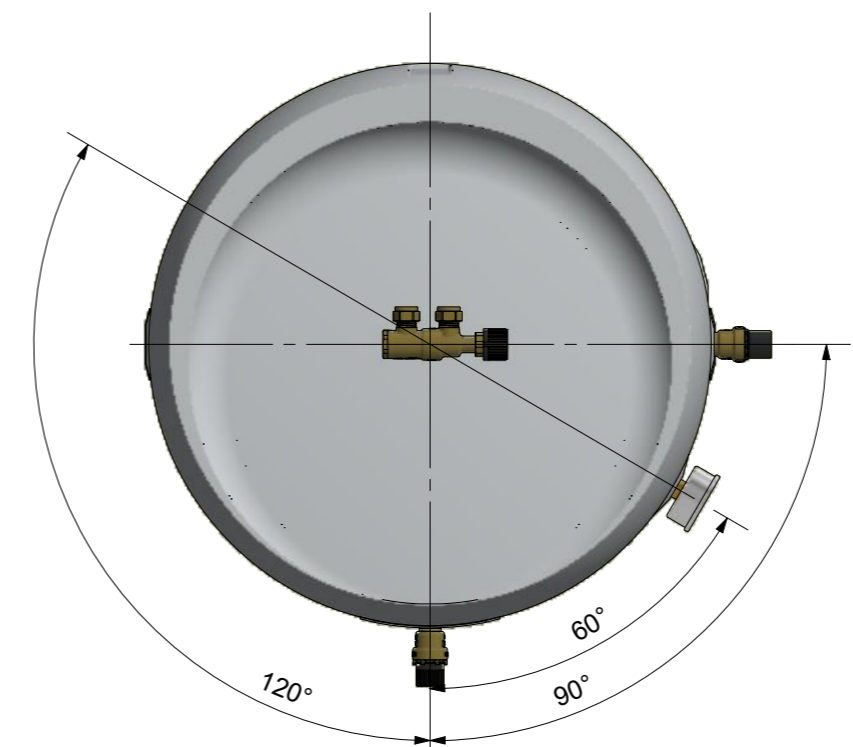
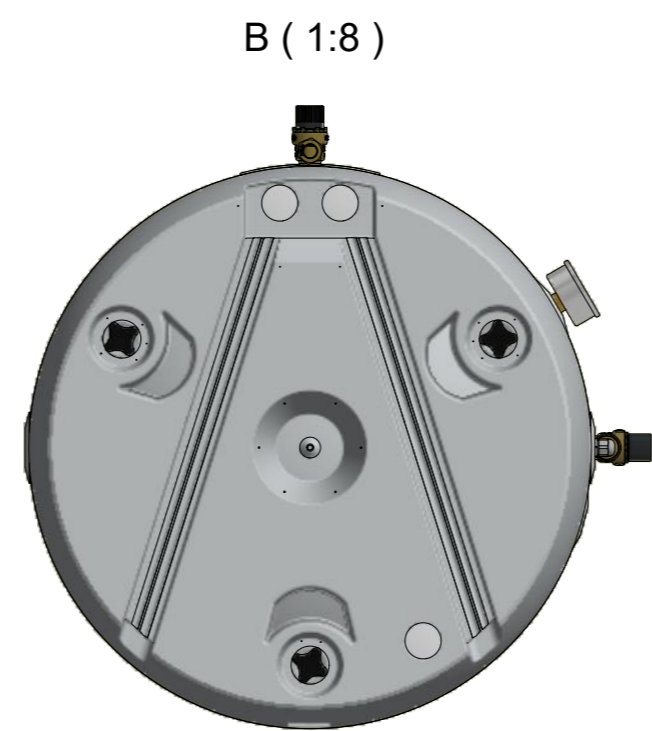
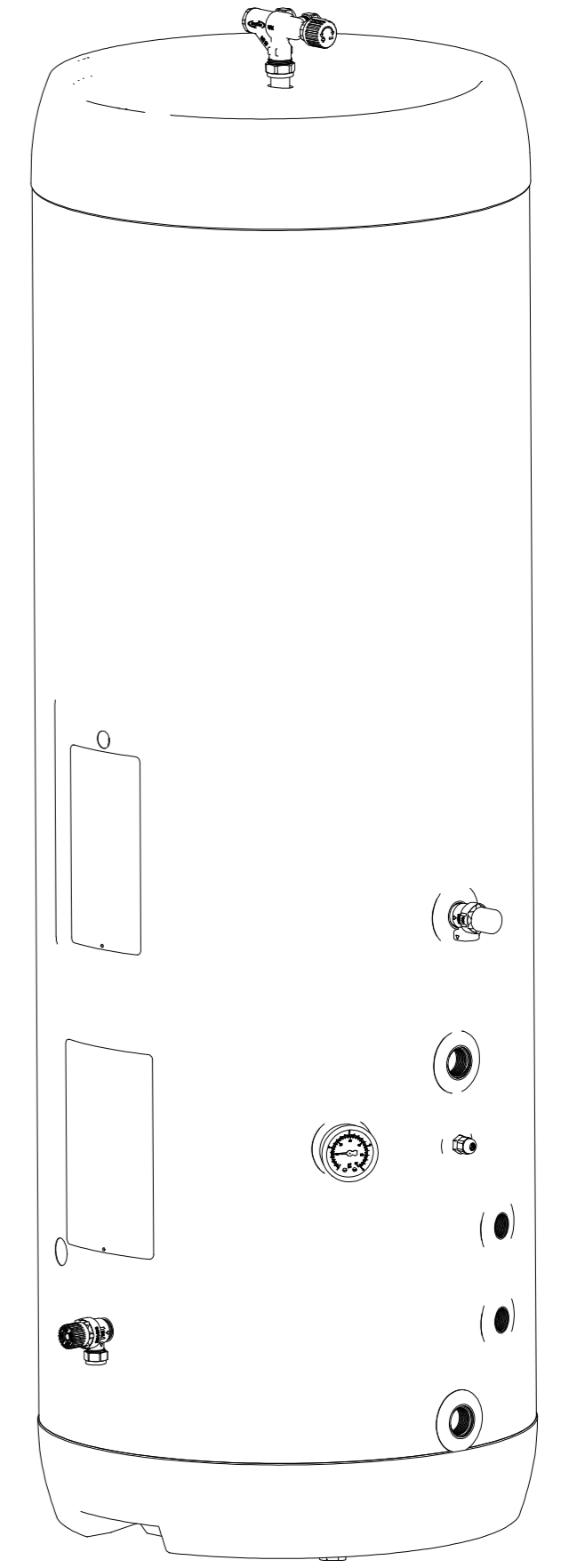
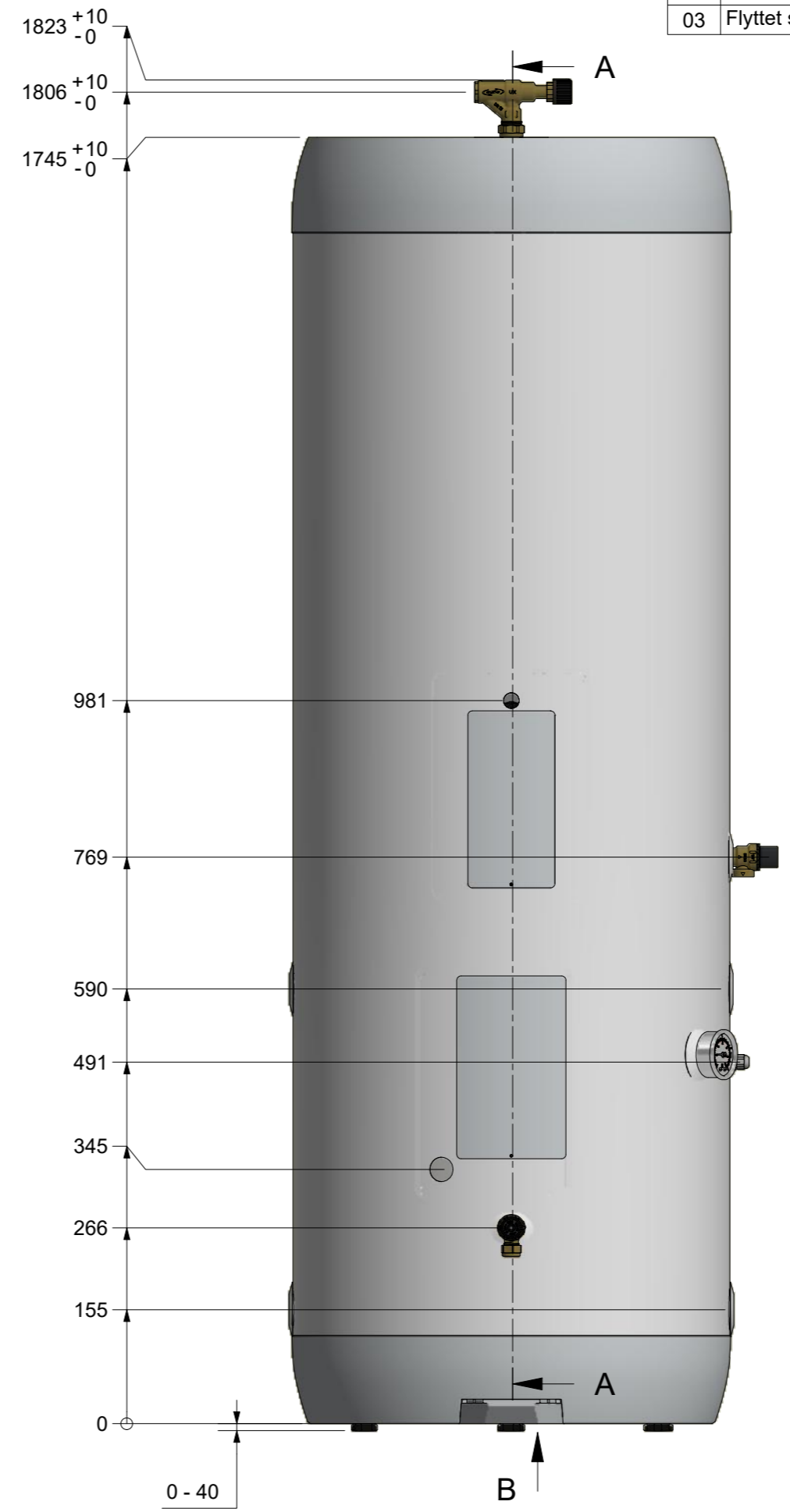
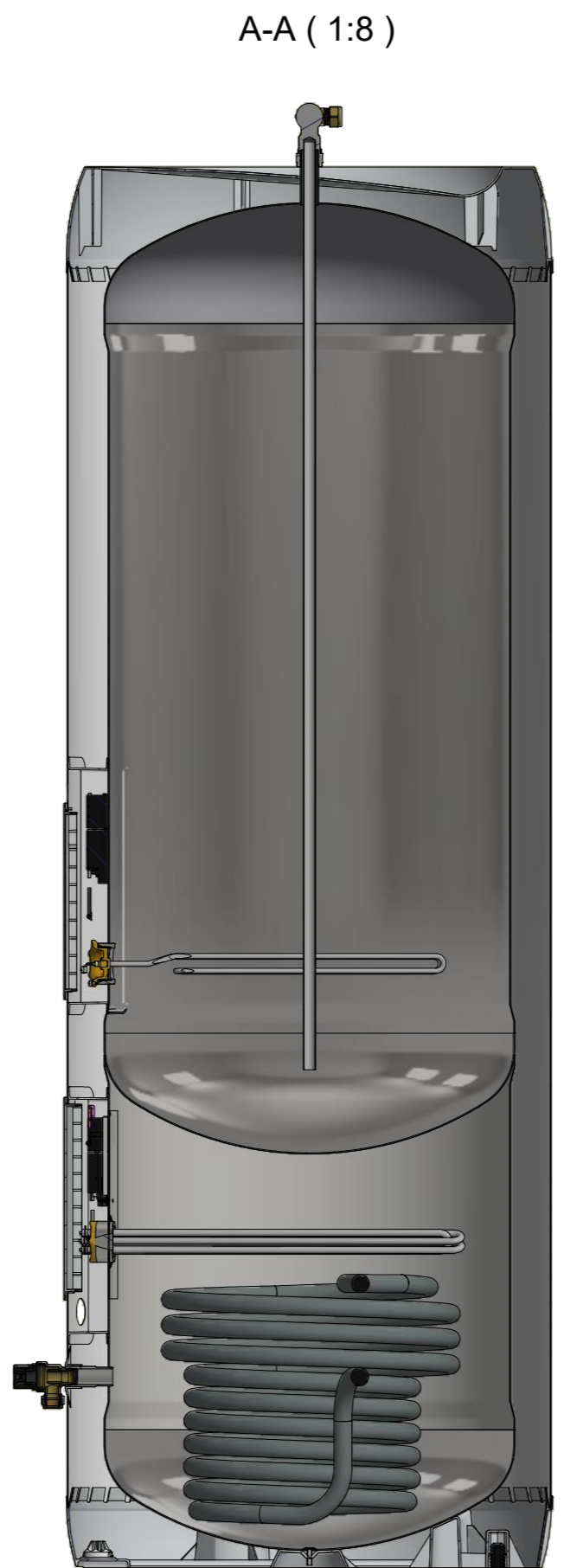
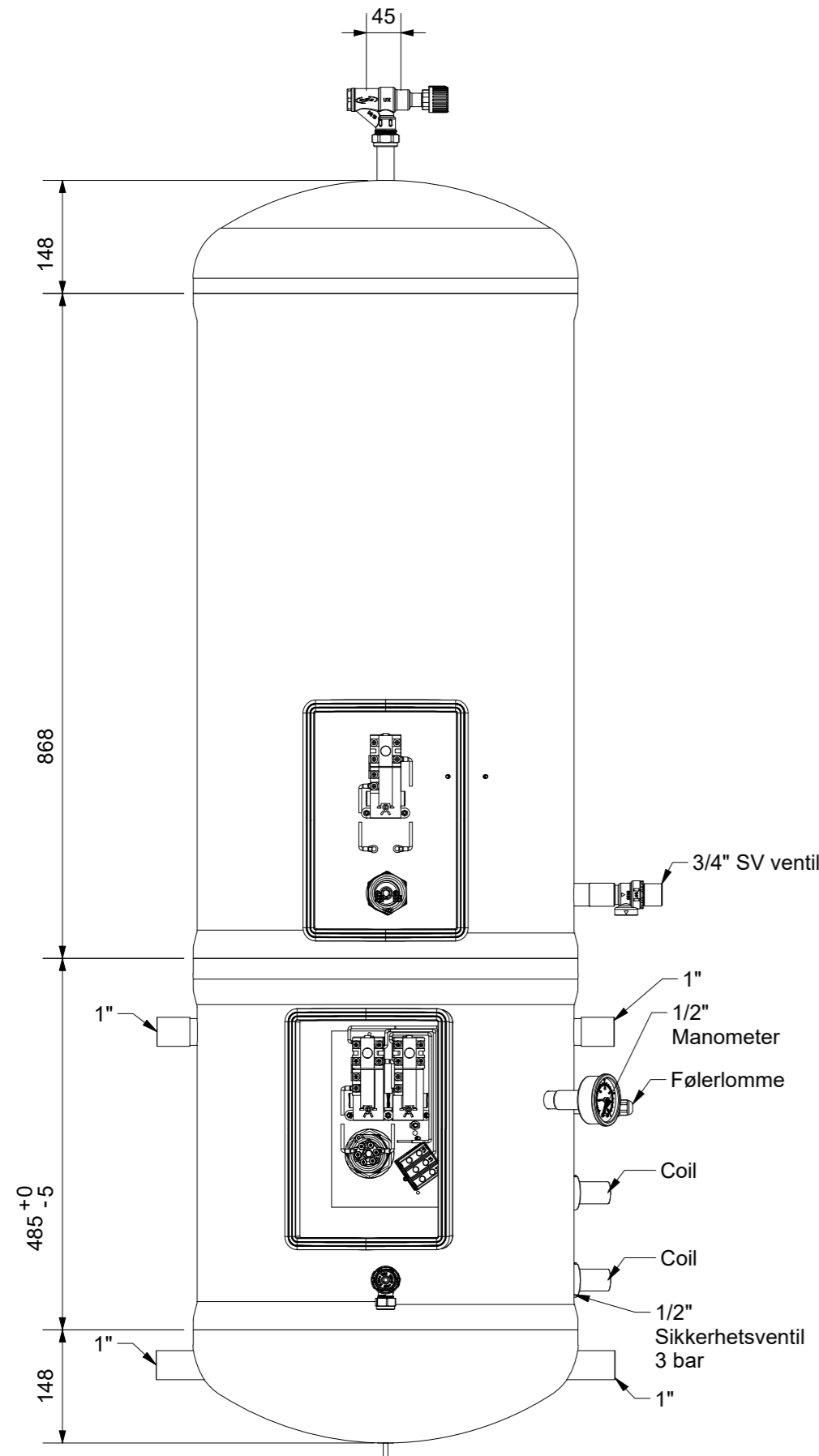


REVISION HISTORY				
REV	Beskrivelse	DATE	DESIGNER	APPROVED
00	Released	23.06.2020	VD	
01	Flyttet sensor og følerlomme	24.09.2020	VD	S. Braathen
03	Flyttet sensor 10mm ned, økt volum 2L	06.01.2021	VD	S. Braathen

Volum	
Tank	Volum
Øvre	205
Nedre	92
Totalt	297



All dimensions are specified in millimeters (mm) unless otherwise stated.
Tolerance based on ISO 2768-1v

Title	Scale	Date: 06.11.2020
OC-300 LT	1 : 8	Designed by: VD
2 x Coil, 4 x Heat	Format	Approved by:
	A2	Projection
Drawing type: 2D	Sheet	1 of 1
This drawing is copyright and shall not be reproduced or disclosed to a third party without express permission by OSO Hotwater AIS Norway	Drawing no.	Rev
OSO HOTWATER	18-0335	03
AIS OSO, N - 3300 Hokksund Tlf: 32 25 00 00 Fax: 32 25 00 90		